

HIGH PERFORMANCE SOLAR MODULES

REC AE-SERIES

REC AE-Series modules are the perfect choice for building solar systems that combine long lasting product quality with reliable power output. REC combines high quality design and manufacturing standards to produce high-performance solar modules with uncompromising quality.



**EASY
TO INSTALL**



**ROBUST AND
DURABLE DESIGN**



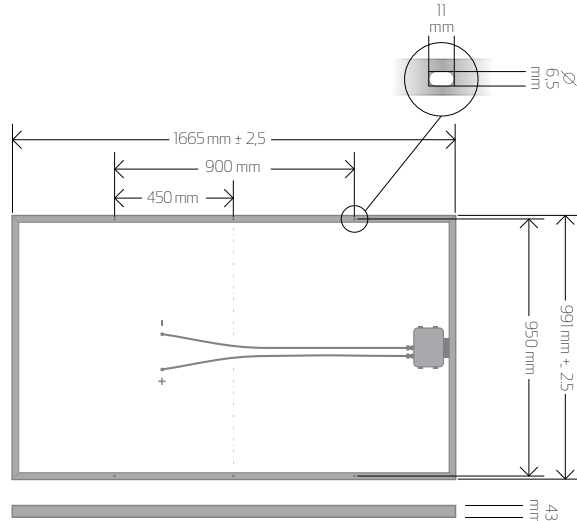
**ENERGY PAYBACK
TIME OF ONE YEAR**



**OPTIMIZED FOR ALL
SUNLIGHT CONDITIONS**



REC AE-SERIES



ELECTRICAL DATA @ STC

	REC215AE	REC220AE	REC225AE	REC230AE	REC235AE	REC240AE
Peak Power Watts - P_{MAX} (Wp)	215	220	225	230	235	240
Watt Class Tolerance - P_{TOL} (W)	0/+5	0/+5	0/+5	0/+5	0/+5	0/+5
Watt Class Tolerance - P_{TOL} (%)	0/+2	0/+2	0/+2	0/+2	0/+2	0/+2
Maximum Power Voltage - V_{MPP} (V)	28.2	28.5	28.7	29.0	29.3	29.6
Maximum Power Current - I_{MPP} (A)	7.7	7.8	7.9	8.0	8.1	8.2
Open Circuit Voltage - V_{OC} (V)	36.3	36.5	36.7	36.9	37.1	37.4
Short Circuit Current - I_{SC} (A)	8.3	8.4	8.5	8.6	8.6	8.7
Module Efficiency (%)	13.0	13.3	13.6	13.9	14.2	14.5

Values at Standard Test Conditions STC (Air Mass AM1.5, Irradiance 1000 W/m², Cell temperature 25 °C)

TEMPERATURE RATINGS

Nominal Operating Cell Temperature (NOCT)	45°C (±2°C)
Temperature Coefficient of P_{MPP}	-0.46%/°C
Temperature Coefficient of V_{OC}	-0.34%/°C
Temperature Coefficient of I_{SC}	0.06%/°C

CERTIFICATION



IEC 61215 AND IEC 61730
ISO 9001

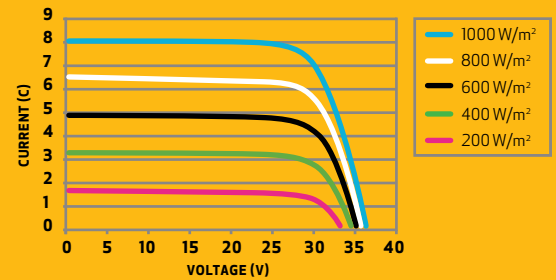
MECHANICAL DATA

Dimensions	1665 x 991 x 43 mm
Area	1.65 m ²
Weight	19 kg

REC is a leading vertically integrated player in the solar energy industry. REC is among the world's largest producers of polysilicon and wafers for solar applications, and a rapidly growing manufacturer of solar cells and modules. REC is also engaged in project development activities in selected PV segments. Founded in Norway, REC is an international solar company, employing more than 4,000 people worldwide. REC had revenues in excess of NOK 9 billion in 2009, approximately EUR 1 billion and approximately USD 1.4 billion.

For further information, contact your local distributor or visit our web site: www.recgroup.com

IV CHARACTERISTICS 215W MODULE



13.9 EFFICIENCY
63 MONTHS WORKMANSHIP WARRANTY
25 YEAR POWER OUTPUT WARRANTY

GENERAL DATA

Cell Type	156 x 156 mm multi-crystalline cells 60 in series - 3 strings of 20 cells
Glass	High-transparency solar glass with antireflection surface treatment by Sunarc Technology
Back sheet	Double layer high performance polyester
Frame	Anodized aluminium
Connectors	2 x 0.94m solar cables with MCIII connectors

WARRANTY

10 years limited warranty of 90% power output
25 years limited warranty of 80% power output
63 months limited product warranty

MAXIMUM RATINGS

Operational Temperature	-40 ... +80°C
Maximum System Voltage	1000V
Maximum Load	551 kg/m ² (5400 Pa)
Maximum Wind Speed	197 km/h (w/safety factor 3)
Max Series Fuse Rating	15A
Max Reverse Current	15A

Note! Specifications subject to change without notice.



REC Solar AS
Kjørboveien 29
1302 Sandvika
Norway

www.recgroup.com